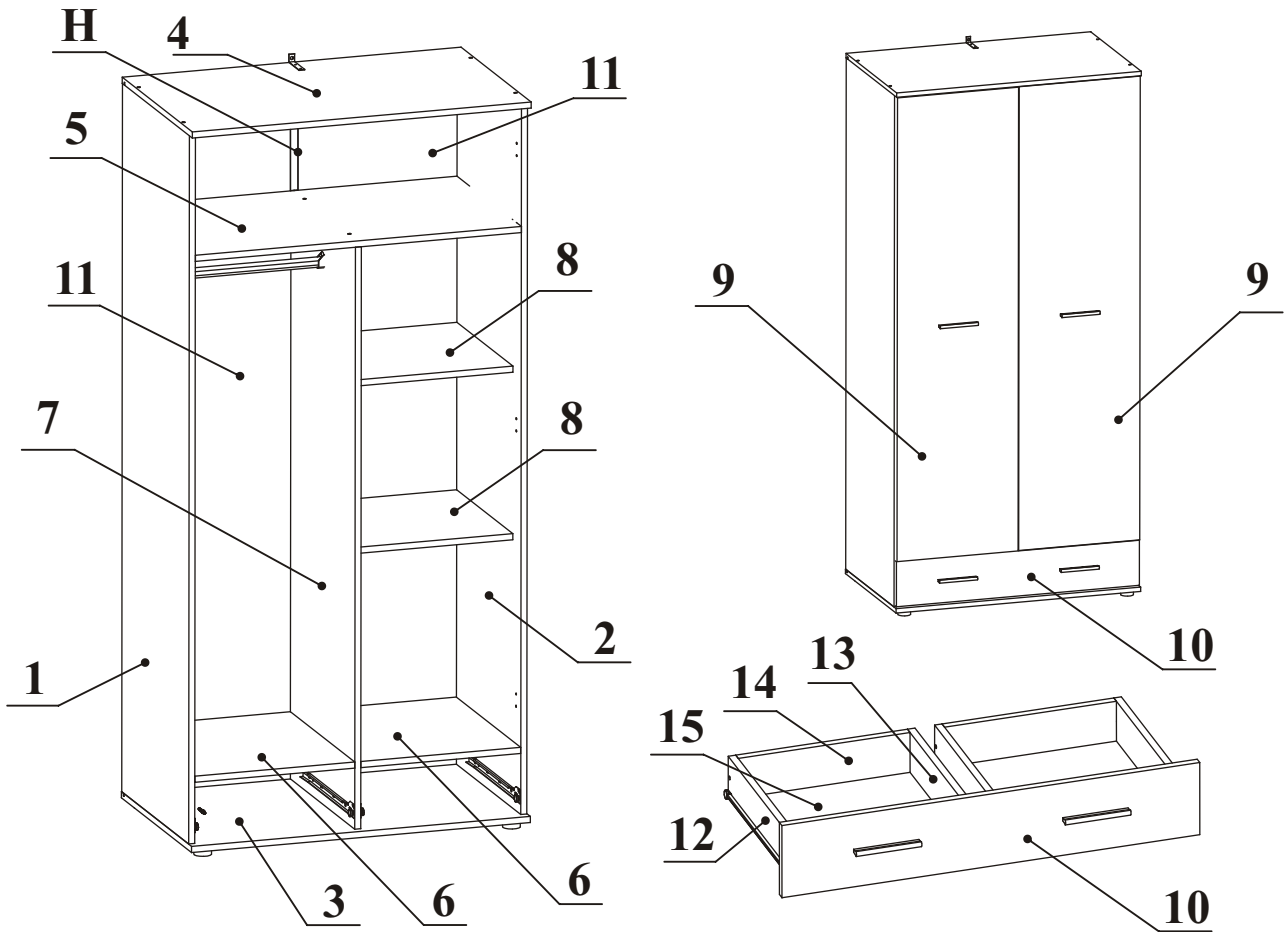
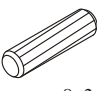
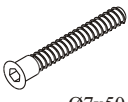

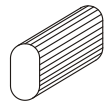
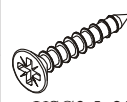


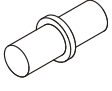

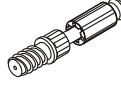


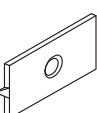
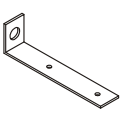
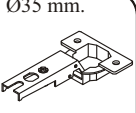
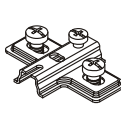
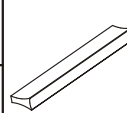
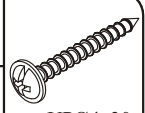


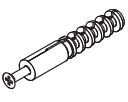
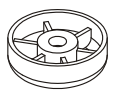

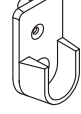

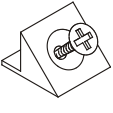
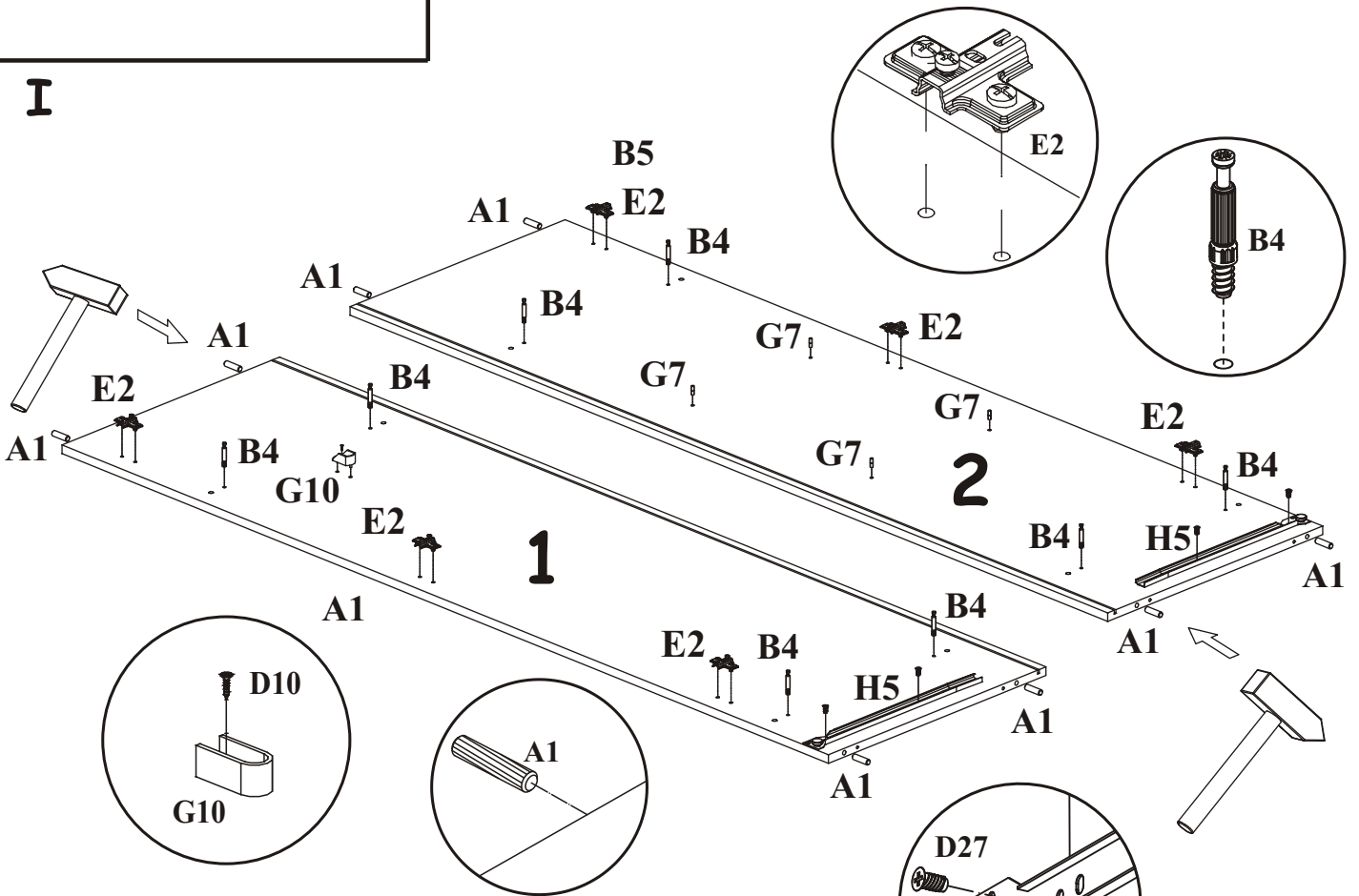


Emio 2

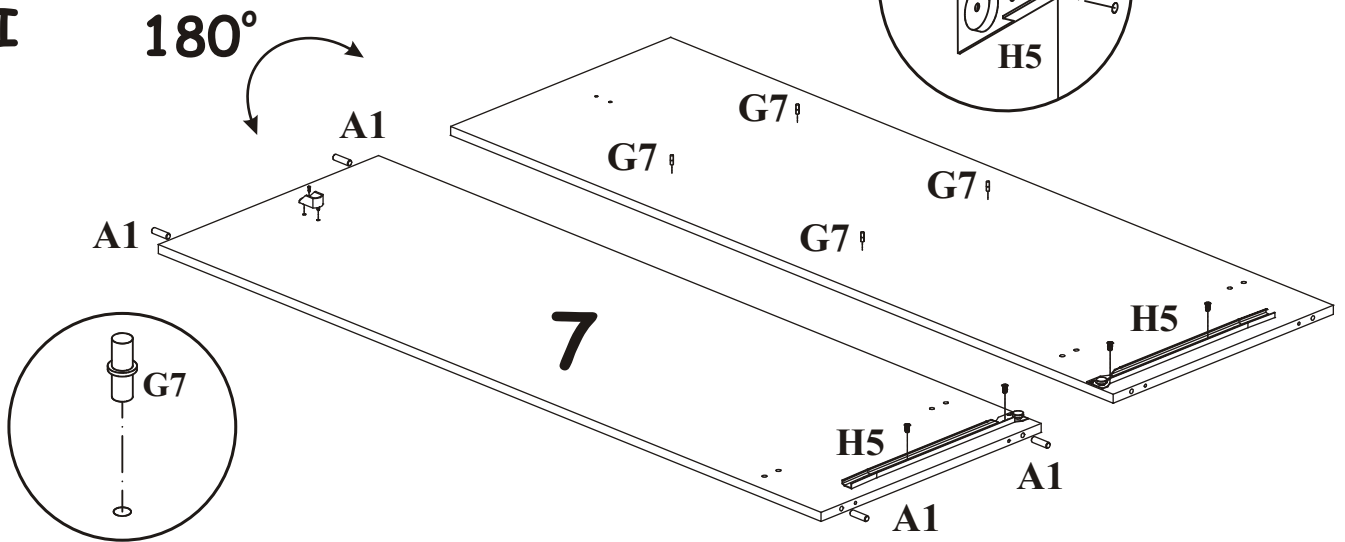


| | | | | | |
|---|--|---|---|---|---|
| A1 X32  ø8x36 | B11 X16  Ø7x50 | G2 X1  | C5 X1  | D11 X5  USØ3,5x25 | D27 X8  EsØ6x8 |
| G5 X12  | G7 X8  | G4 X16  | B4 X12  | B6 X2  Ø7x78 | B5 X16  ø15x12 |
| G16 X11  | L1 X1  | E1 X6 Ø35 mm.  H=0 | E2 X6  H=0 | V X4  | UP6 X8  UPØ4x30 |
| D9 X5  USØ 3,5x20 | D10 X41  USØ3,5x16 | KR1 X1  | I11 X5  | H5 X2  | G10 X2  |
| B3 X30  Ø1,4x25 | S1 X14  | | | | |

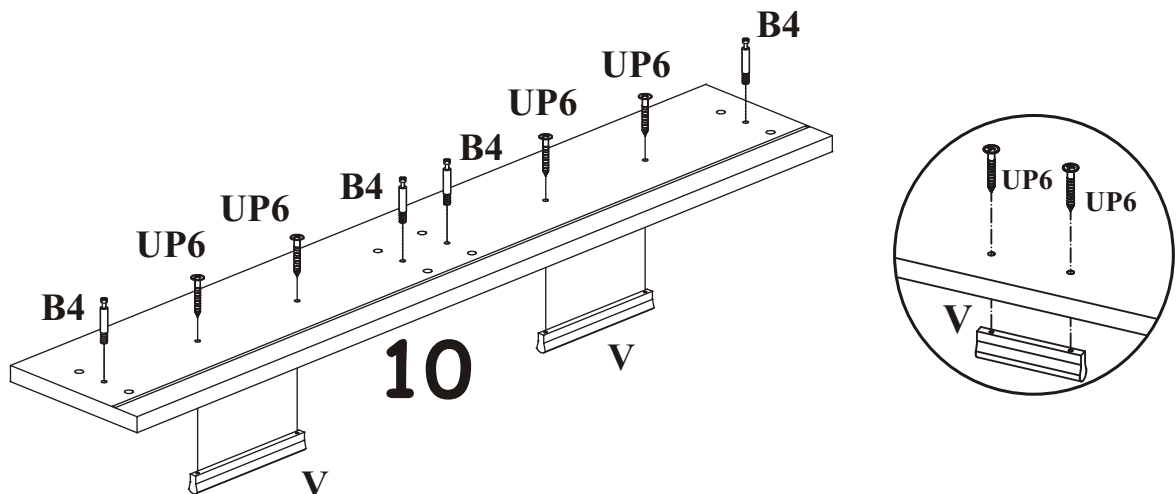
I



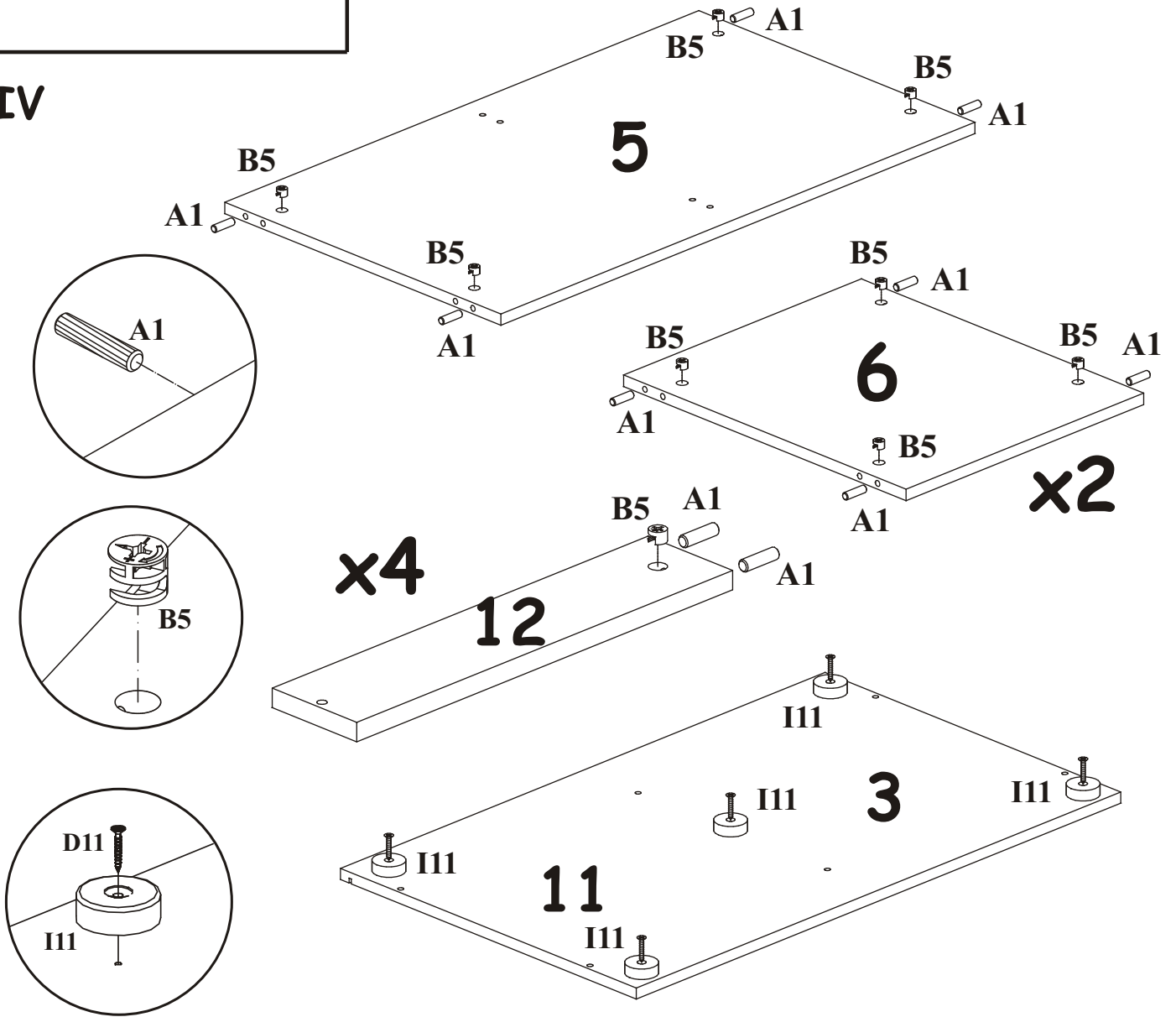
II



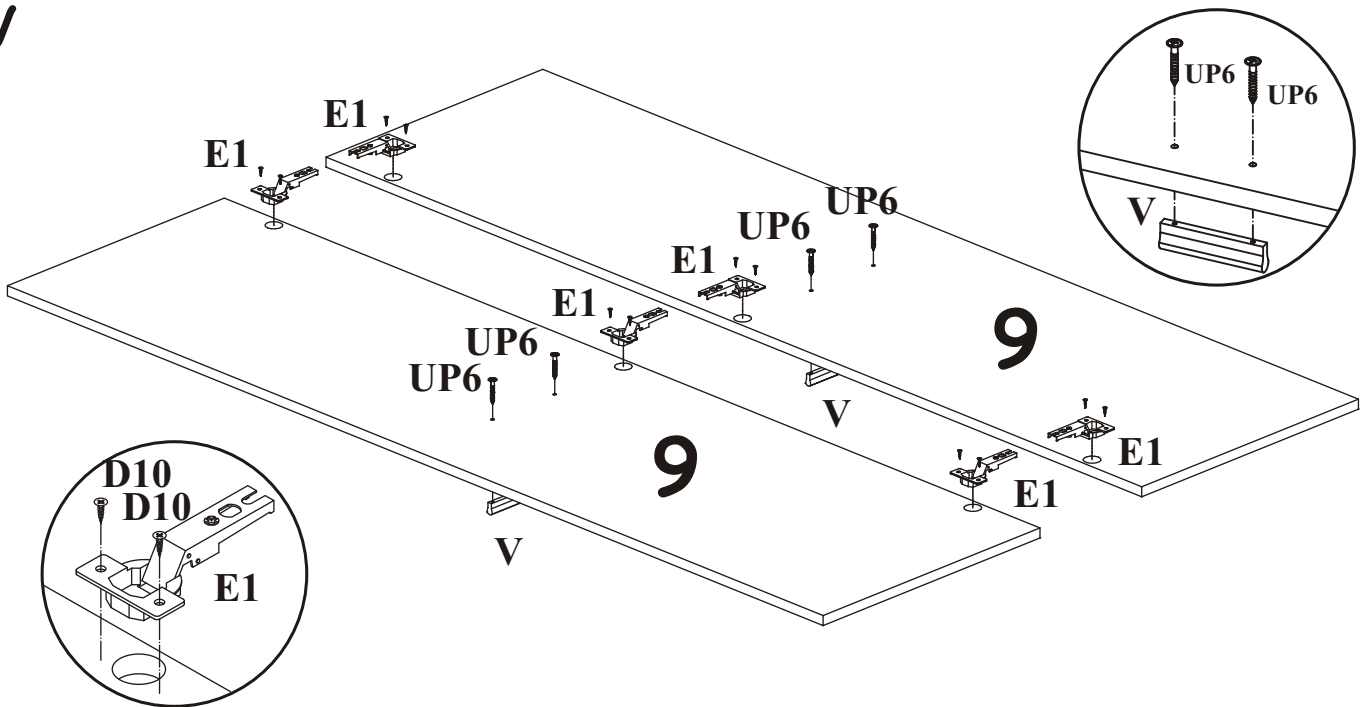
III



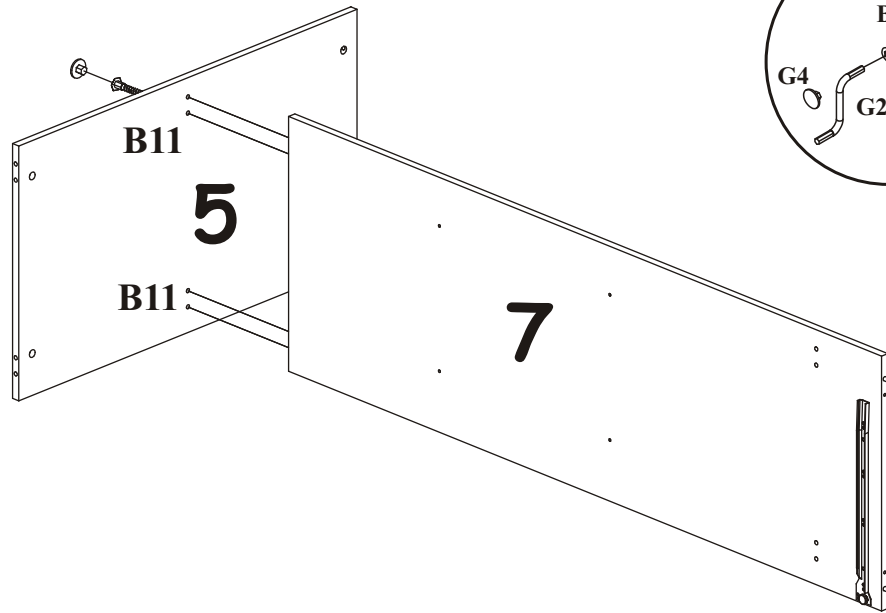
IV



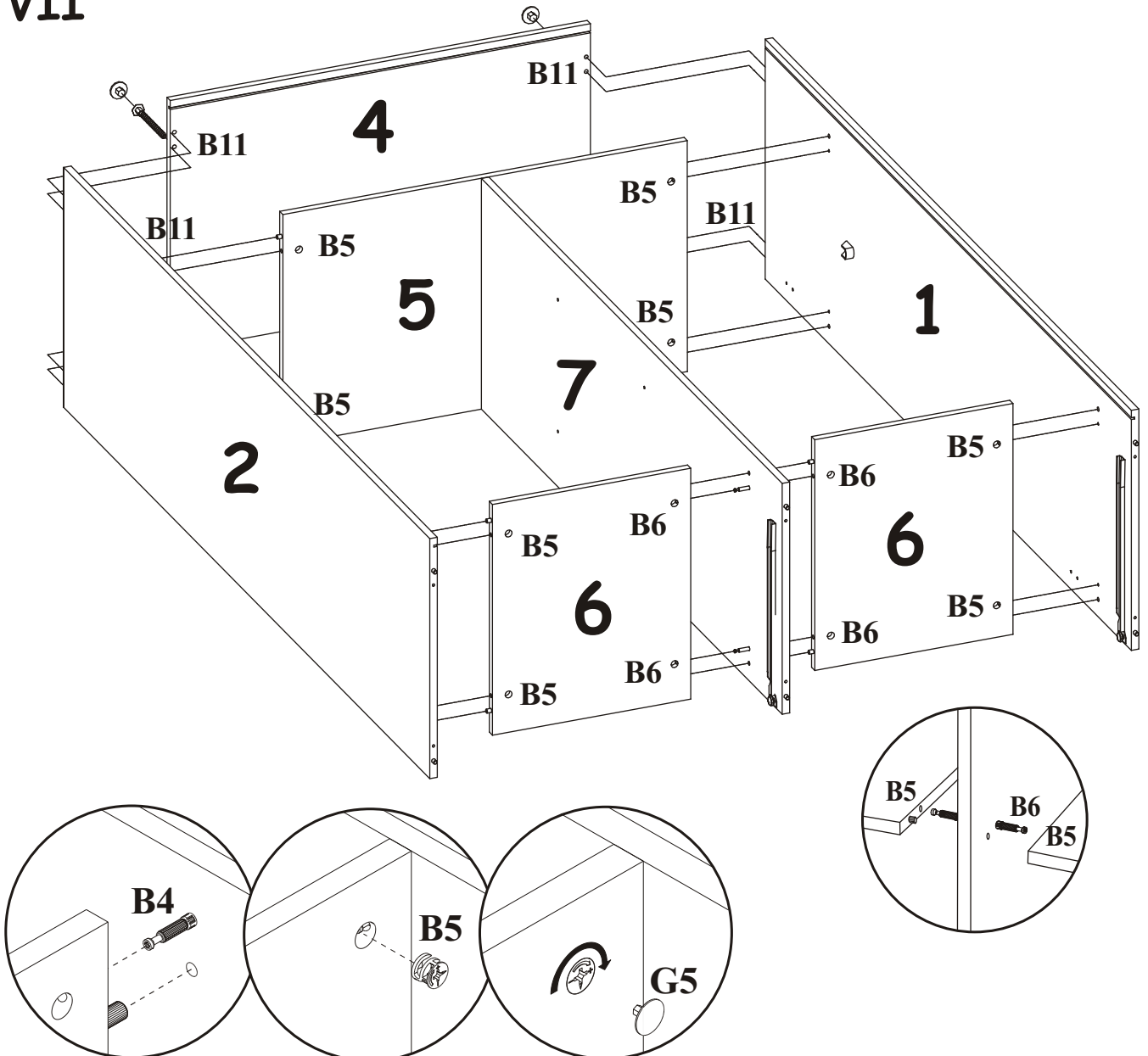
V



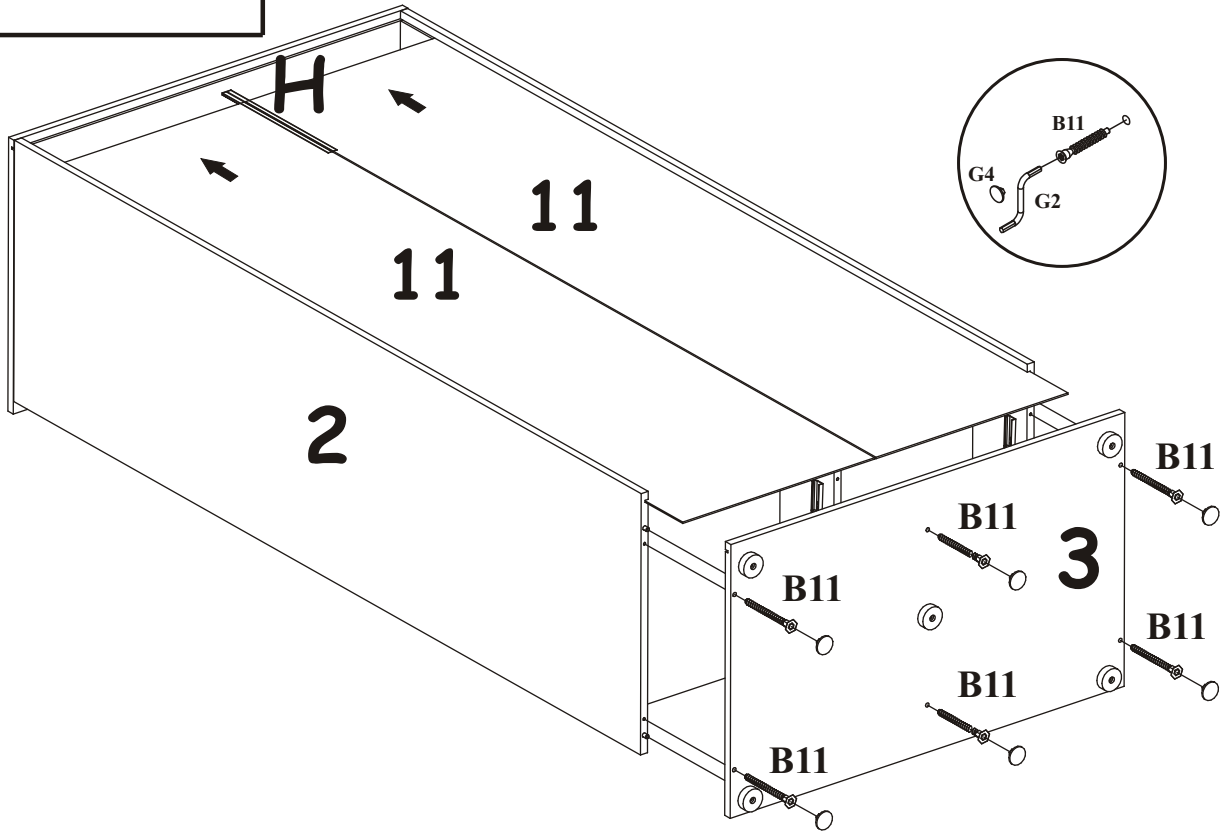
VI



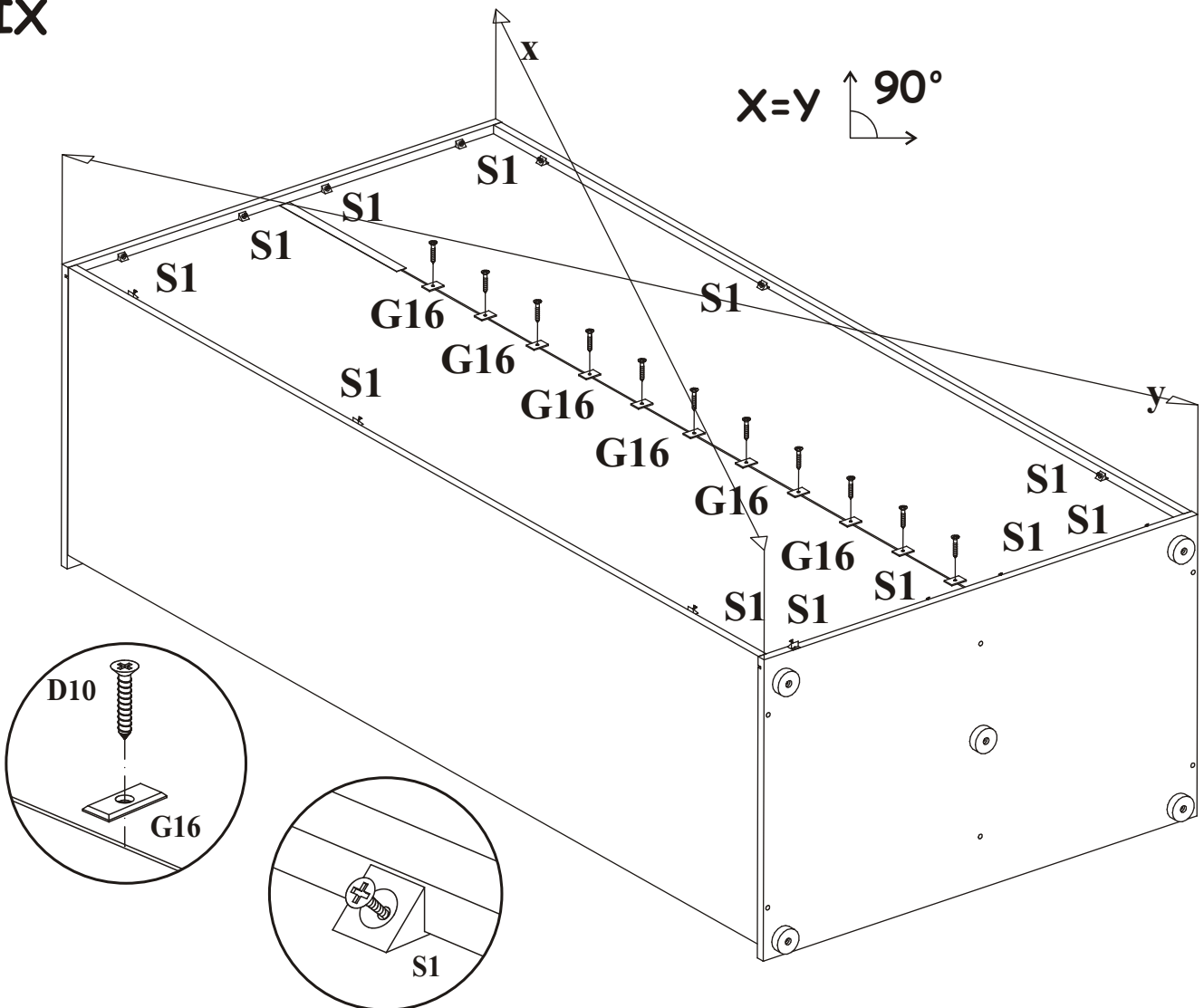
VII

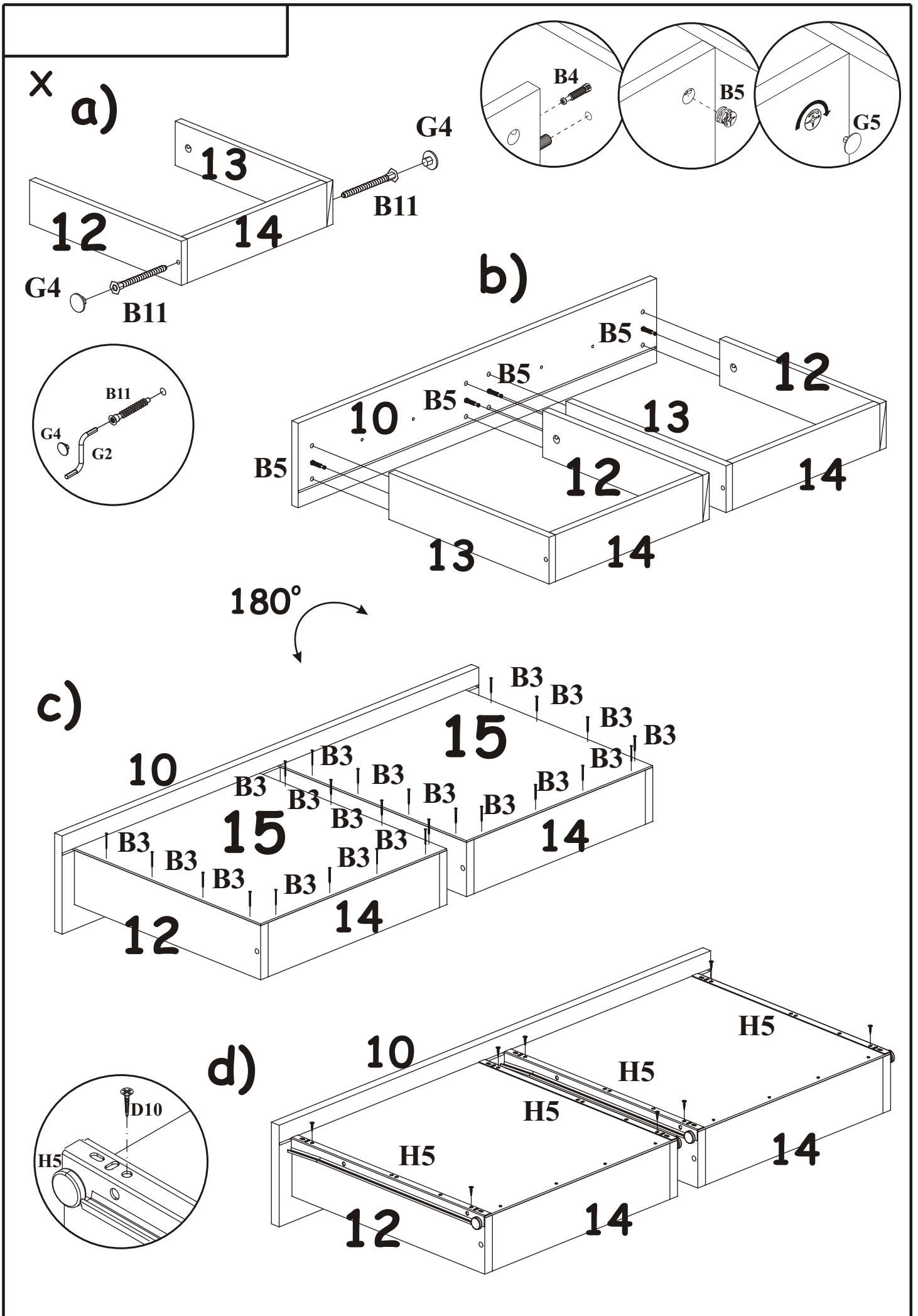


VIII



IX





XI

